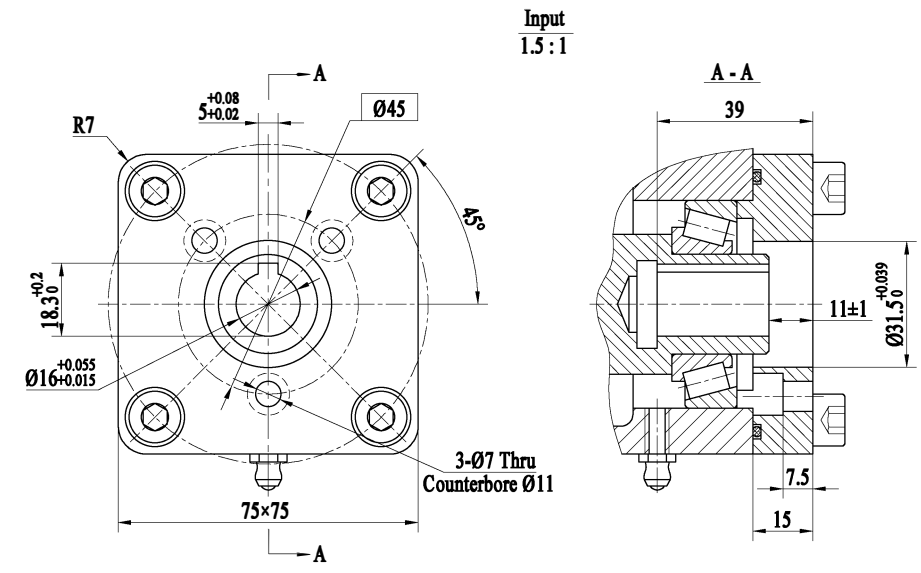
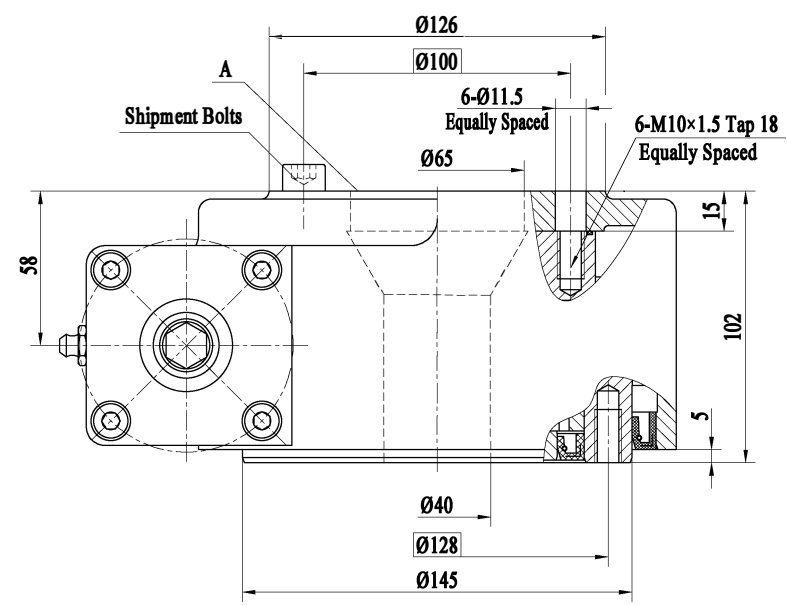


Slewing Drive Performance Data		
Output Torque (Max.)	600 N.m	442.5 lbf.ft
Tilting Moment Torque (Max.)	2800 N.m	2066.4 lbf.ft
Holding Torque	5000 N.m	3690 lbf.ft
Axial Load (Max.)	45 kN	10116 lbf
Radial Load (Max.)	22 kN	4945.6 lbf
Ratio of Worm Gear	62:1	
Tracking Precision	≤ 0.2 °	



Note: Side A facing up when mounted.

REV	DATE	REVISER	DESCRIPTION			
DESIGNED BY	XL	09/15/2025	<h1>LYRA DRIVE</h1>			
CHECKED BY	BFL	09/15/2025				
APPROVED BY	Roddick	09/15/2025				
<small>THIS DRAWING, AND THE CONFIDENTIAL, NON-PUBLIC INFORMATION IT DEPicts, ARE OWNED BY CONE DRIVE. YOU DO NOT HAVE THE RIGHT TO REPRODUCE OR DISCLOSE THIS DRAWING OR ITS CONTENTS WITHOUT THE PERMISSION OF CONE DRIVE. IF REQUESTED, YOU MUST RETURN THIS DRAWING, AND ALL COPIES, TO CONE DRIVE.</small>			WEIGHT	SCALE	Title	SLEWING DRIVE
			≈16kg(35.2lb)	1:2	Model No.	
<small>SYMBOLS ISO</small>			SIZE	A3	SE5C-62-16H-R	Rev
			SHEET	1 / 1		A